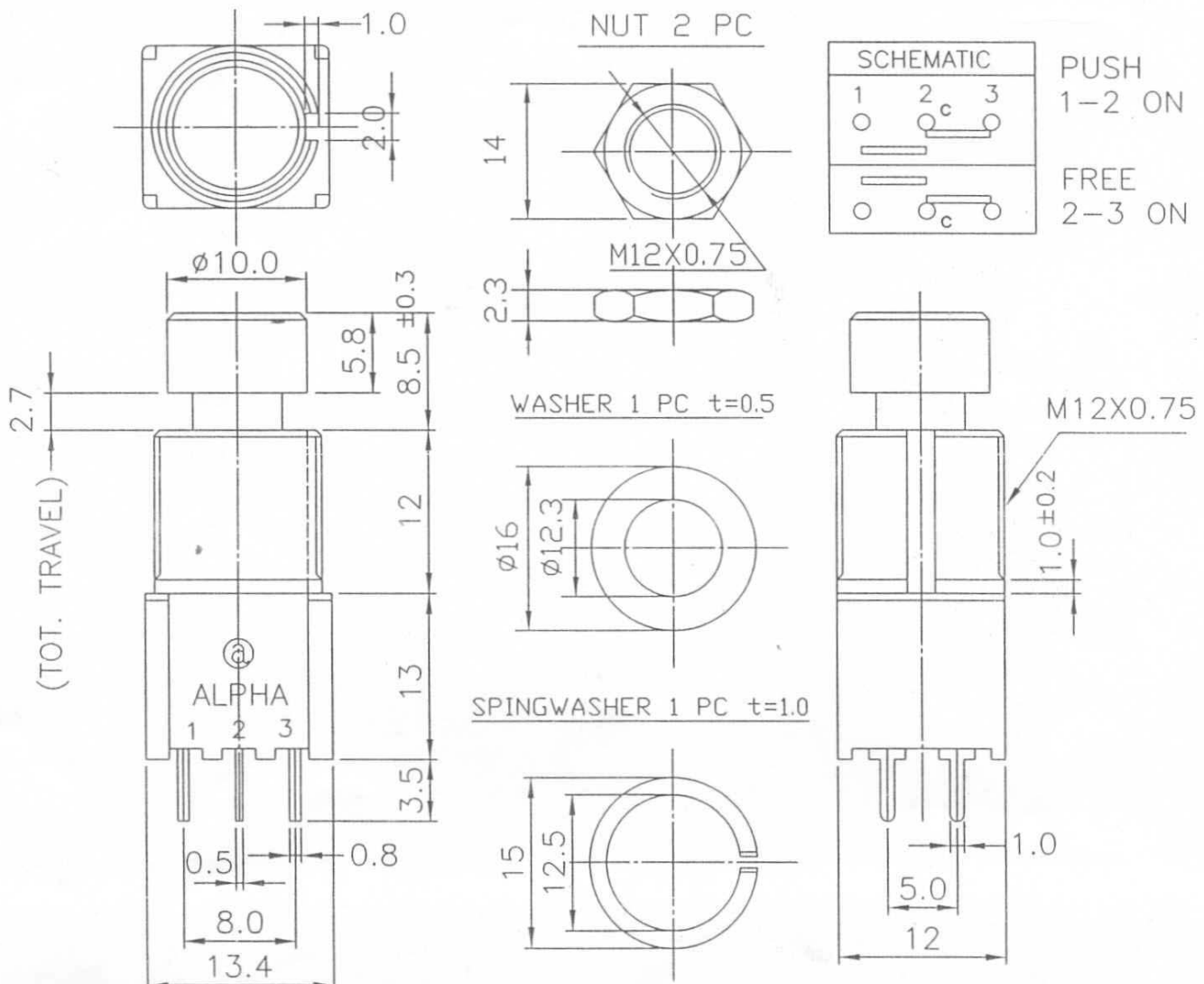


FOOT SWITCH

MODEL	SF12011F-0202-20R-M-011
SPECIFICATIONS	
Rating	AC125V 6A AC250V 3A DC30V 4A
Contact Resistance	50mΩ Max. Silver contacts
Insulation Resistance	DC500V-100 MΩ Min.
Withstand Voltage	AC1000V-1 Minute
Operating Force	2.8±0.8Kgf
Life Cycles	20000 Cycles
Sizes (m.m)	As Following Drawing



NOTE: 1. TOLERANCES UNLESS OTHERWISE SPECIFIED: ±0.3mm
 2. FUNCTION: MOMENTARY

Date	2005.03.03	DWN	張月琴 95.8.16	CHKD	何建志 95.8.16	APP'D	楊三鑫 95.8.17
------	------------	-----	----------------	------	----------------	-------	----------------

TAIWAN ALPHA ELECTRONIC CO., LTD.