



# **IDEAL**POWER

experts in power conversion

Ideal Power Ltd Product Specification Document

<b>Description</b>	Ext. PSU
<b>Model Number</b>	77DB-06-12
<b>Revision</b>	A1
<b>Notes</b>	-

---

**Ideal Power Ltd**

Ideal Power, Ideal House, Tree Beech Enterprise Park, Gunn, Barnstaple, Devon, EX32 7NZ, England, UK

**Tel:** +44 (0) 845 260 3400

**Email:** sales@idealpower.co.uk

**Web:** www.idealpower.co.uk

**77DB-06-12**

INPUT VOLTAGE **240VAC**  
OUTPUT VOLTAGE **12VAC**

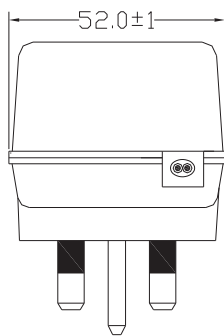
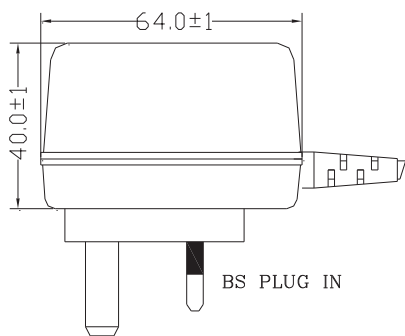
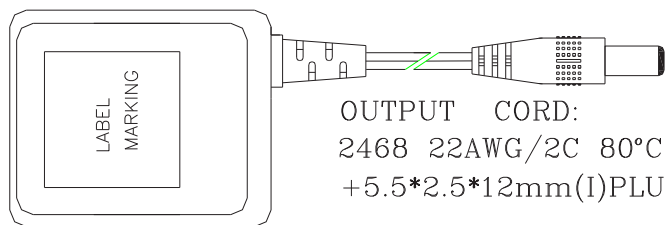
**ELECTRICAL & MECHANICAL SPECIFICATION**



**KM81689**



**1 8 7 1 8**



**ELECTRONICAL SPECIFICATION**

Input Voltage	<b>240</b>	Volts
Frequency (Hz)	<b>50</b>	Hz
Power Rated (W)	<b>10</b>	W
Exciting Current With No load	<b>50</b>	mA Max
Exciting Current With Full load	<b>70</b>	mA Max
Output Voltage	<b>12.0</b>	Volts±5%
Output Current	<b>0.5</b>	Amp
Output Voltage Without Load	<b>16.0</b>	Volts±5%
HI-POT :		
Test Time	<b>1</b>	Min
PRI TO SEC	<b>3750</b>	Volts
PRI TO CORE	<b>3750</b>	Volts
SEC TO CORE	<b>1250</b>	Volts
Efficiency	<b>80</b>	%
Insulation Class	<b>B (130)</b>	°C

**MECHANICAL SPECIFICATION**

Dimensions (L*W*H)	<b>64.0*52.0*40.0</b>	mm
Weight	<b>265</b>	g
Environment:		
Operating Temperature	<b>-10 To 40</b>	°C
Storage Temperature	<b>-20 To 70</b>	°C
Relative Temperature 40°C±2°C		
<b>RELATIVE HUMIDITY</b>	<b>90% RH</b>	

Input Cable: **BS PLUG IN(3PIN)**

Output Cable: **2468 22AWG\*2C 1.8M LENGTH+JACK**

**ELECTRICAL CIRCUIT**

