

1

2

3

4

A

A

B

B

C

C

D

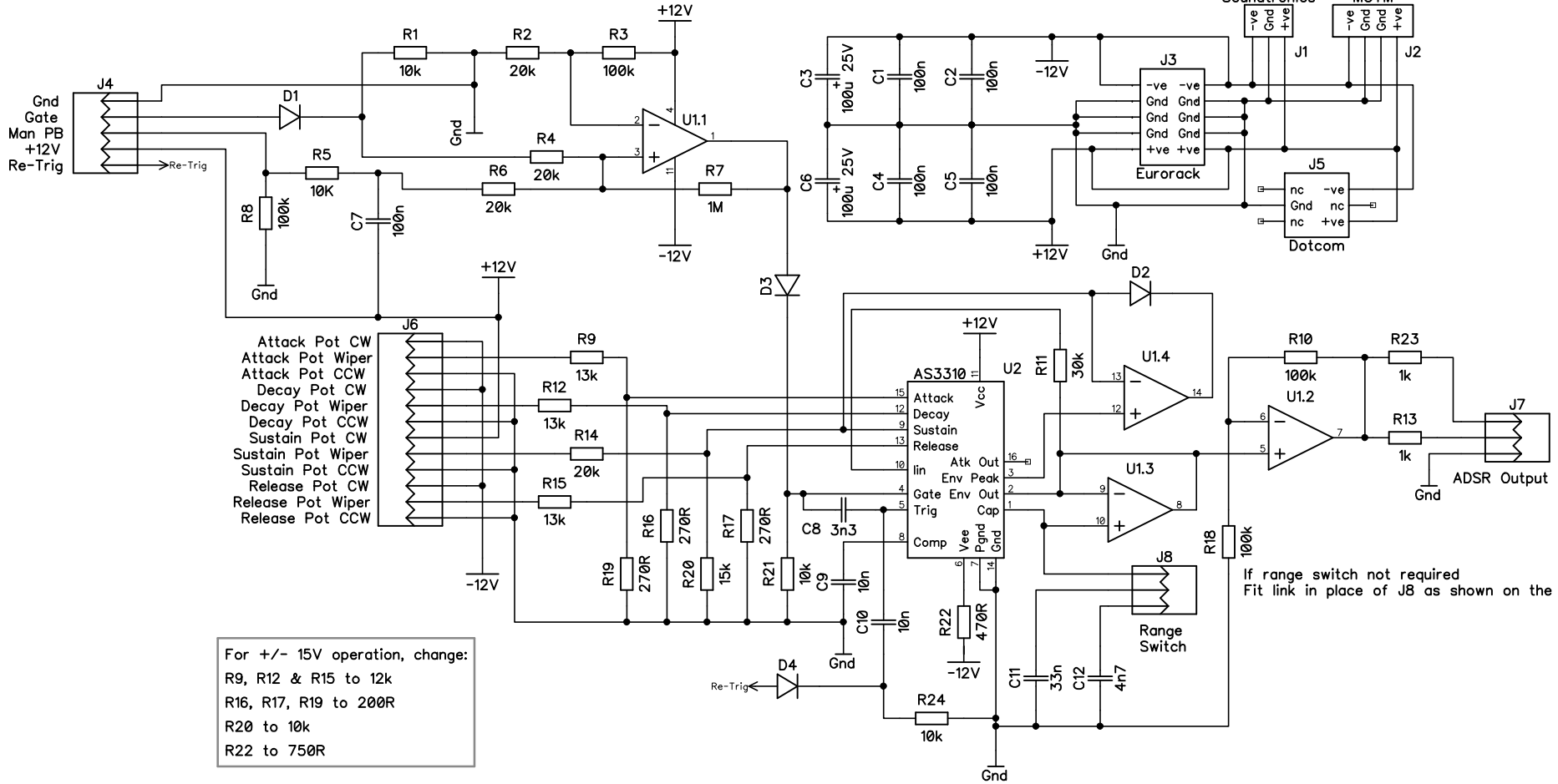
D

E

E

F

F



For +/- 15V operation, change:
 R9, R12 & R15 to 12k
 R16, R17, R19 to 200R
 R20 to 10k
 R22 to 750R

Copyright Soundtronics 2019

Title: Soundtronics ADSR Type 1		
Size:	Part Number: 7215-020	Rev: 2
Date:	13 Feb 2019	Drawn by: PC
Filename	S-7215-020-b-ADSR-Type1	

1

2

3

4