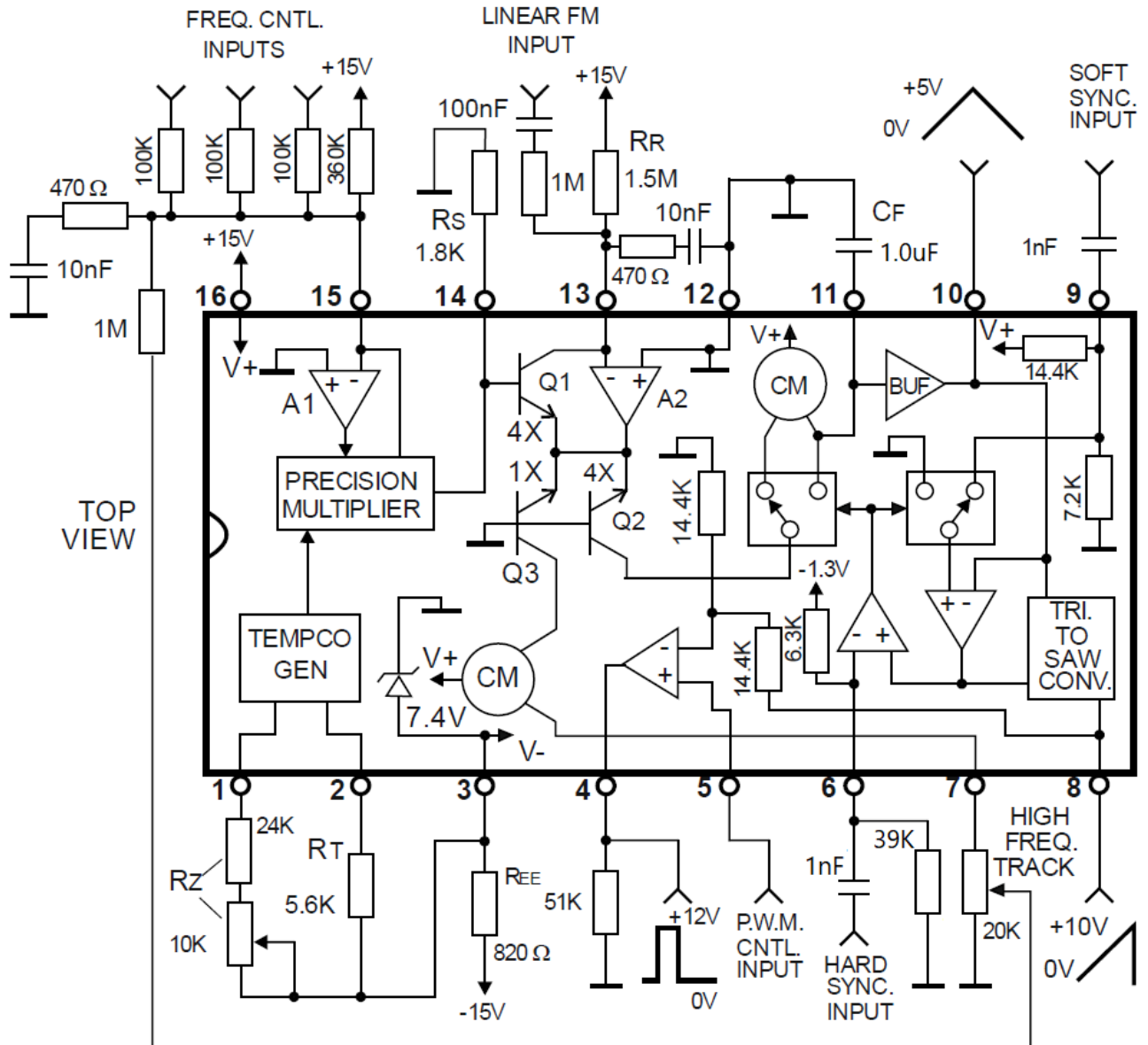




AS3340 / AS3345, AS3340A / AS3345A - Tip: Ultra-LFO application

In typical LFO applications value of capacitor  $C_F$  can be in range 1nF - 50nF. If Ultra-LFO is needed, and  $C_F$  capacitor must be increased till 1.0uF, some changes in schematics must be done - resistor  $\sim 39K$  added to pin 6 :



Date	Revision	Changes
09-Oct-2020	1	Preliminary version 1