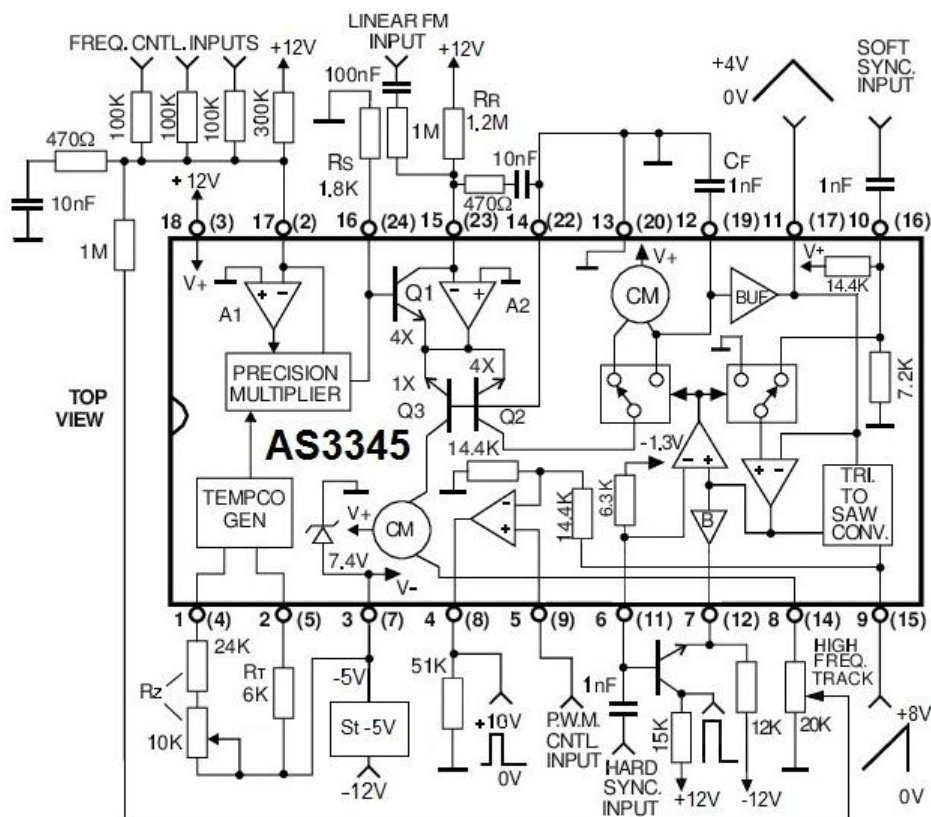
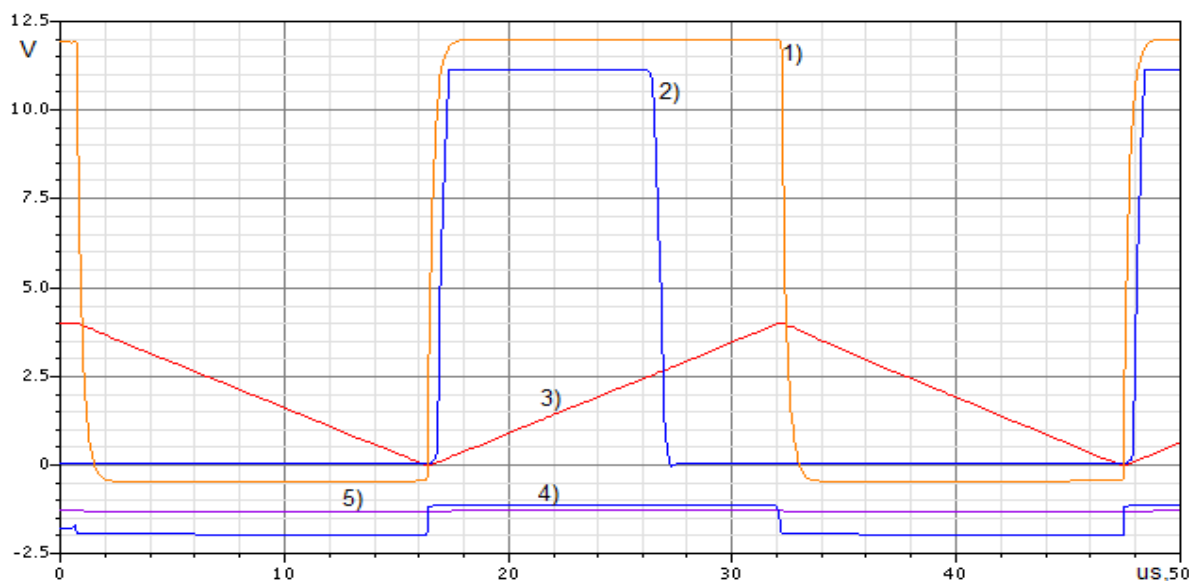


APP-3340/3345-1
 AS3345 - meander output



AS3345 circuit block and connection diagram PDIP-18 (QFN-24)



Signal diagram on AS3345 pins with power supply +12V. Schematic according to datasheet with additional npn transistor for meander amplitude (pin 7 AS3345). Exactly on pin 7 signal range -2 -1V. Resistors values in meander circuit – the same as in datasheet (for power +15V - the same for +12V).



Diagrams:

1. Meander output from collector of additional transistor – signal range “-0,5V” till +12V
2. Pin 4 (for PWM= 1,25V)
3. Triangle (pin 11) - signal 0 till 4V
4. Meander (pin 7) signal range -2 -1V
5. Hard Sync (pin 6)