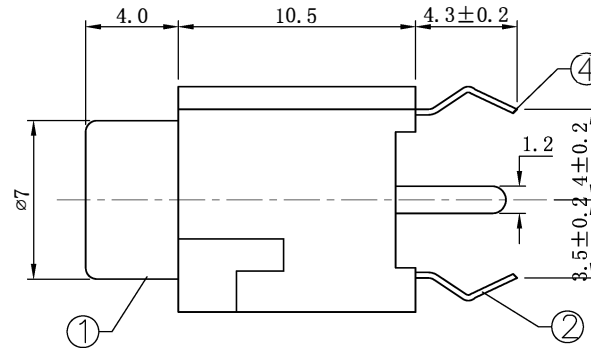
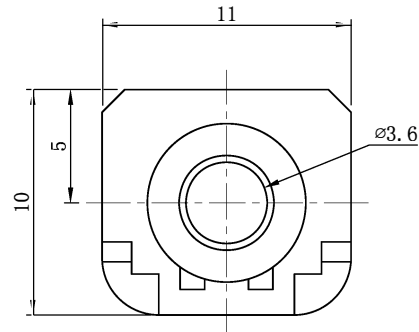
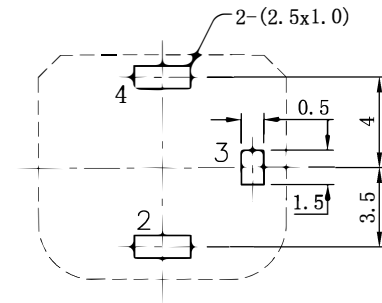


ROHS

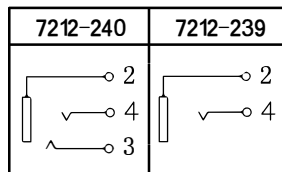
2002/95/EC



P.C.B LAYOUT
TOP VIEW



SCHEMATIC



4	SPRING PIECE	1	PHOSPHOR BRONZE	Ag-Plating
3	SPRING PIECE	1	PHOSPHOR BRONZE	Ag-Plating
2	SPRING PIECE	1	PHOSPHOR BRONZE	Ag-Plating
1	HOUSING	1	PBT	
NO.	DESCRIPTION	QTY	MATERIAL	PLATING

UNIT: MM	TYPE:	MODEL NO:	PAPER NO: A4	PAGE 1 OF 1
	3.5mm JACK	7212-239/240	TOLERANCE	ANGLES
			±0.15	±1.5°
			SCALE	VER
			3:1	1

DESIGNER BY:		Soundtronics.co.uk
DATE :	31 August 2022	